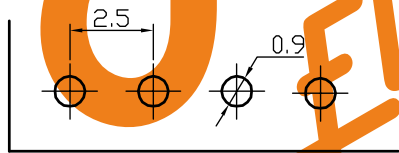
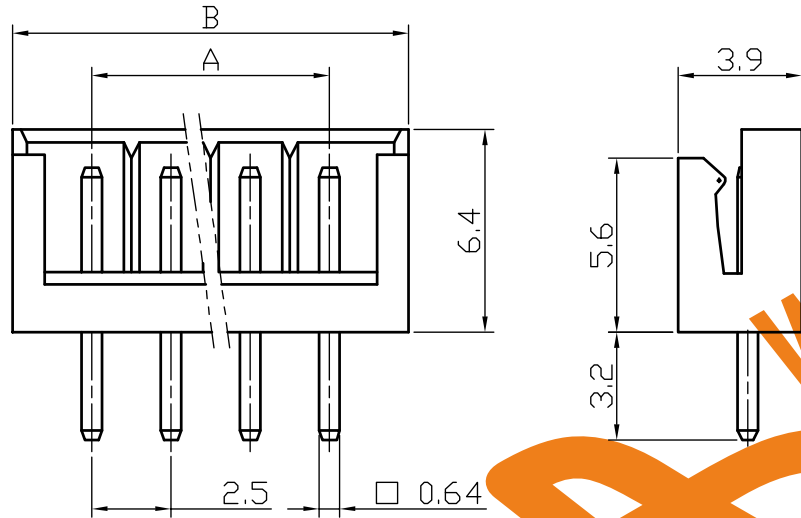


EH 2.5mm-Male ST



PCB Layout

www.ASA-Elec.com

ASA Electronic

Poles	Part No.		Dimensions	
			A	B
2	WB2503-PT02	EH-2A	2.5	7
3	WB2503-PT03	EH-3A	5	9.5
4	WB2503-PT04	EH-4A	7.5	12
5	WB2503-PT05	EH-5A	10	14.5
6	WB2503-PT06	EH-6A	12.5	17
7	WB2503-PT07	EH-7A	15	19.5
8	WB2503-PT08	EH-8A	17.5	22
9	WB2503-PT09	EH-9A	20	24.5
10	WB2503-PT10	EH-10A	22.5	27
11	WB2503-PT11	EH-11A	25	29.5
12	WB2503-PT12	EH-12A	27.5	32
13	WB2503-PT13	EH-13A	30	34.5
14	WB2503-PT14	EH-14A	32.5	37
15	WB2503-PT15	EH-15A	35	39.5
16	WB2503-PT16	EH-16A	37.5	42



www.ASA-Elec.com

AsA Electronic Co.

Tel : (+98) 21 66 73 56 82 Mob : (+98) 912 03 161 02

2	Pin	Tin Plated Brass	N	
	Housing	PA9T (UL94V-0)	1	
No.	Item/Material No.	Material	QTY	Remark
Unmarked Tolerance				
	Unit	Scale	Design Unit	Size
	mm	—	Metric	A4
Draw	Review	Approve	Material	Drawing No.
			Item	Part No.